

Friendly Note....

When you are assembling the Zeez Cat Fun House, the Scratching post acts as its own pole. You do not need to put the pole in the post, if you do you will be short a pole.

53-Z03603 - ZeeZ FELINE ARCH FUN HOUSE 32 x 16 x 16"

53-Z03604 - ZeeZ FELINE CUBE FUN HOUSE 16 x 16 x 29"

53-Z03605 - ZeeZ FELINE CLIMBING HILL FUN HOUSE 32 x 16 x 28"

53-Z03606 - ZeeZ FELINE FUN HOUSE w/TUNNEL 32 x 32 x 32"

53-Z03607 - ZeeZ FELINE HIDEAWAY FUN HOUSE 48 x 32 x 44"

53-Z03608 - ZeeZ FELINE CORNER HIDEAWAY FUN HOUSE 48 x 32 x 44"



No Pole



Pole

If you have a customer Ring and claim they are missing a Pole, this is the first question to ask them as it is a common mistake.

Guide to the KITTYP LAND

Thank you for choosing the KITTYP LAND.

We are confident this product will be as attractive and satisfying to you and your kitty. KITTYP LAND design for quick and easy assembly, no tools needed to assemble any of the KITTYP LAND. Follow the simple steps in this guide, and your kitty will waste no time to moving into his new land.

Kittyland Hideaway Play Tower

Item No.: 53106L

Assembled Size: 80x40x70cm (32x16x28inch)

Product Composition:

ABS, Cardboard, Polyester, PVC

Maximum Kitty Weight: 8kg

Made in China

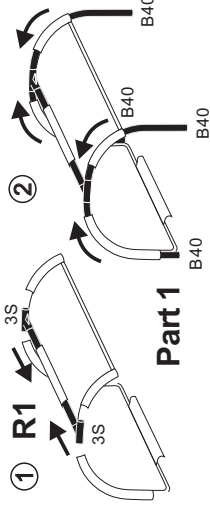


Actual product may vary from photo

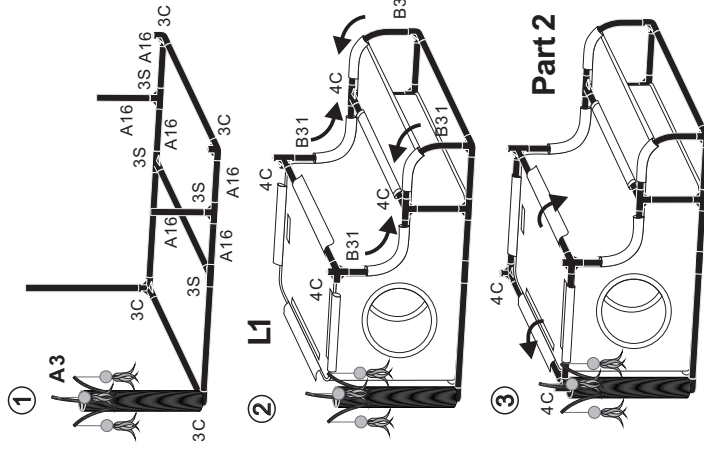
THIS UNIT CONTAINS:

| No. | Qty. | Description |
|-----|------|------------------------|
| A3 | 1 x | Toy Sisal Post |
| A16 | 6 x | 16cm Tube |
| A35 | 12x | 35cm Tube |
| B40 | 4 x | 40cm Curved Tube |
| B31 | 4 x | 30.5cm Curved Tube |
| 3S | 6 x | 3-way Connector |
| 3C | 4 x | 3-way Corner Connector |
| 4C | 6 x | 4-way Connector |
| R1 | 1 x | Jute Roof |
| L1 | 1 x | Ramp Hideaway |
| M1 | 1 x | Square Plush Mat |

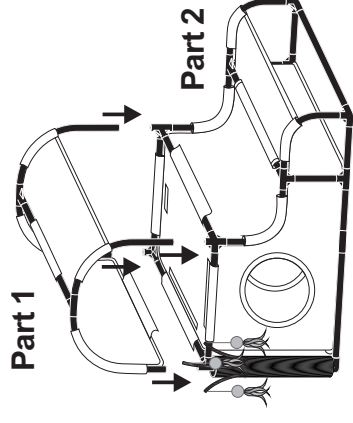
Step 1: Assemble the Part 1



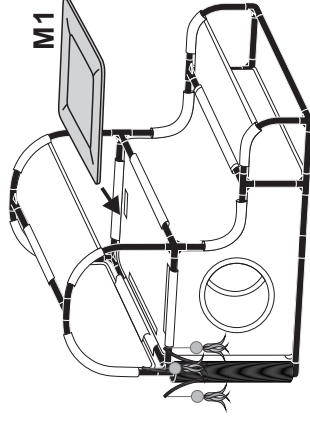
Step 2: Assemble the Part 2



Step 3: Connect Part 1 and Part 2 together



Step 4: Put into the Mat, Push and tight all the fittings



After all accessories assembled, please push all the fittings tight to ensure that the entire shelf stable.

Notice:

- (1) This product is used only for small cats rest and play, not suitable for other purposes, when using, do not exceed the maximum load to bear.
- (2) After the initial installation, please check if the connectors are in place and ensure all components connected firmly. Check the product regularly.
- (3) The main frame of this product is plastic. Install the product with appropriate force in order to avoid unnecessary damage. In case of any damage in the course of the product usage, Stop using immediately, remove the damaged parts and replaced with related new components.
- (4) This product is recommended placed by the wall. Do not close to open flame, high temperature equipment or used near damaged items.

Care Instructions:

Spot clean, moist towel, air dry thoroughly. Do not immerse in water.